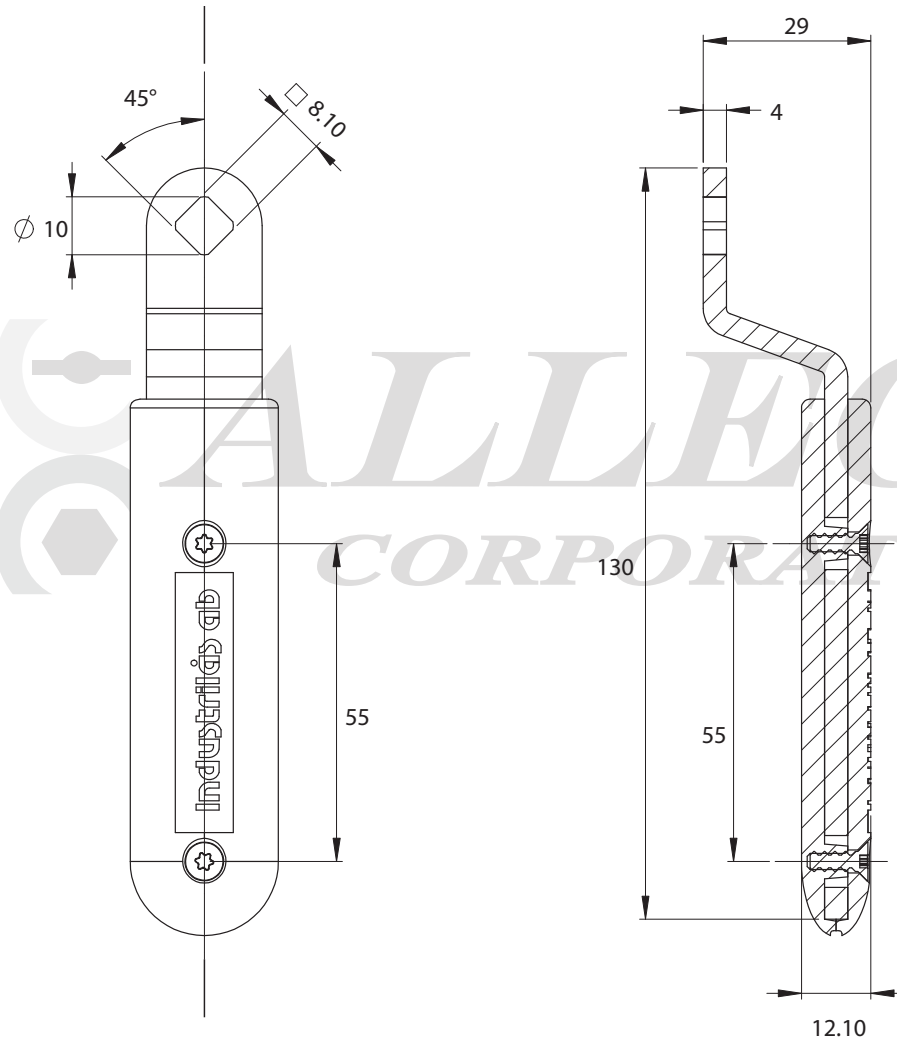


APPROVAL - CUSTOMER NAME & SIGNATURE

DATE



www.ALLEGISCORP.com
1-866-378-7550

MATERIAL / FINISH :
 Stainless Steel

REV. :
 1 : 2

DATE :
 2-14-2017

DESCRIPTION :
 Handle

DRAWING NO. :
 265076-50 SS